

FD T120 WALL PANEL SYSTEM



FD T120 is a robust and highly versatile, powder coated steel frame panel system with 18mm plywood faces. Available in a wide selection of sizes and with an extensive range of accessories, FD T120 can handle a multitude of configurations for your construction project incredibly efficiently.

The built in-strength in the design makes erection simple whilst only using a minimal amount of components. The aligning wedge clamps lock the panels rigidly and accurately together into place. Shutter assembly stay free of twisting when being handled by crane.

FD T120 has a maximum permissible concrete pressure of 80kN for single panel height form arrangements up to 3.3m - maximum wall heights up to 13.5m

FD-FDT-0000-0001

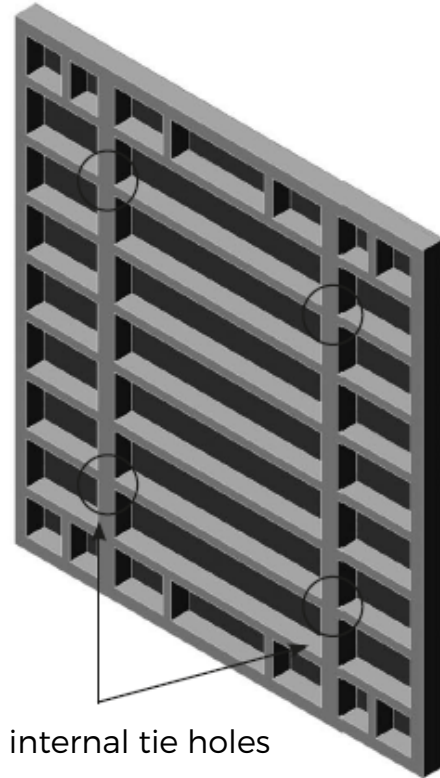


FD T120

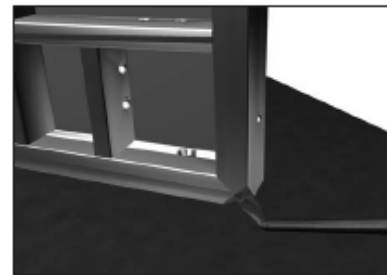
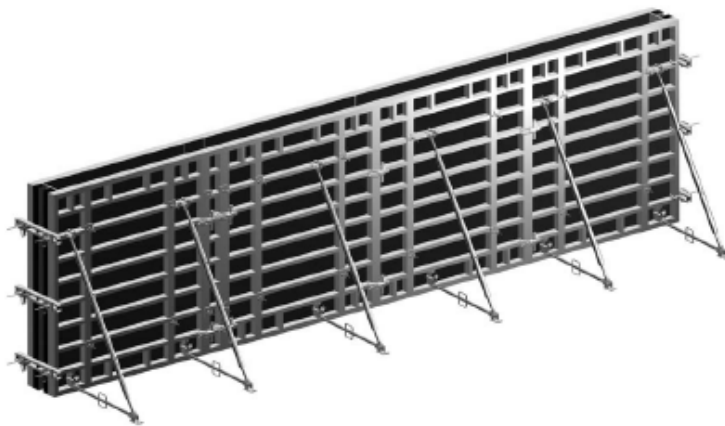
2700 X 2400 PANEL BENEFITS

2700 x 2400 Panel Benefits

- High structural stiffness for reduced deflection.
- Optimum size for transport.
- No plugging of tie holes.

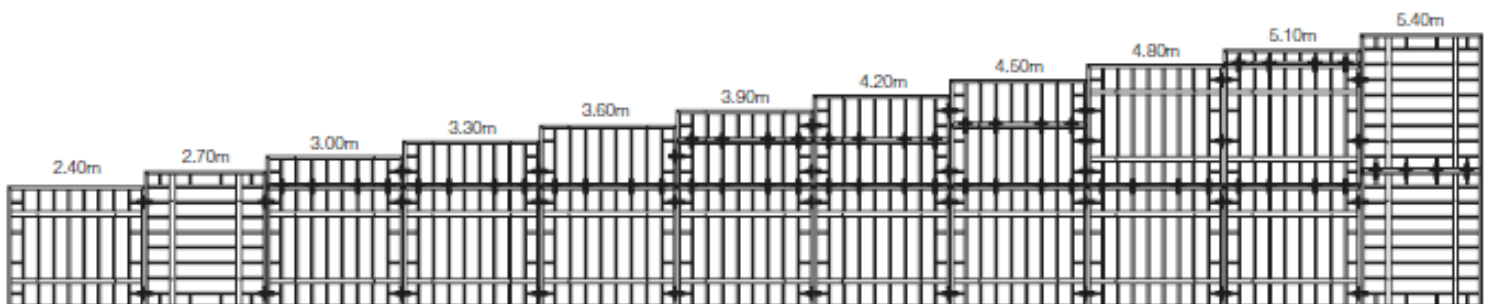


only 4 internal tie holes



Levering corners

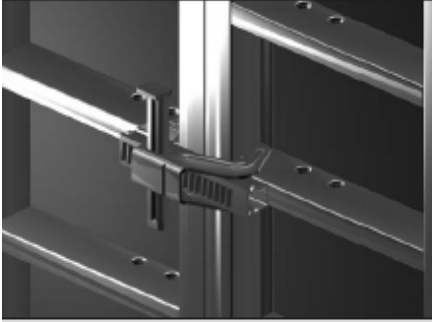
Panels can be levered into place with a crow bar



Achievable heights when combined with other 2700mm panels - typical panel arrangements

FD T120

ALIGNMENT CLAMP APPLICATIONS



Standard panel joint



Height extensions



Supporting infill timbers up to 100mm



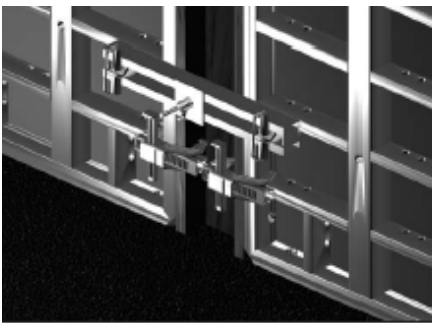
External & internal corners



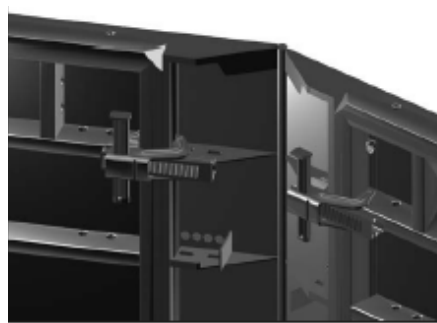
Timber extensions



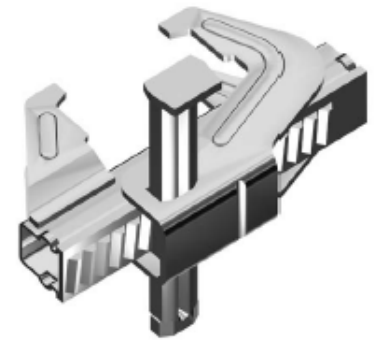
Stopends



Plywood & timber makeup

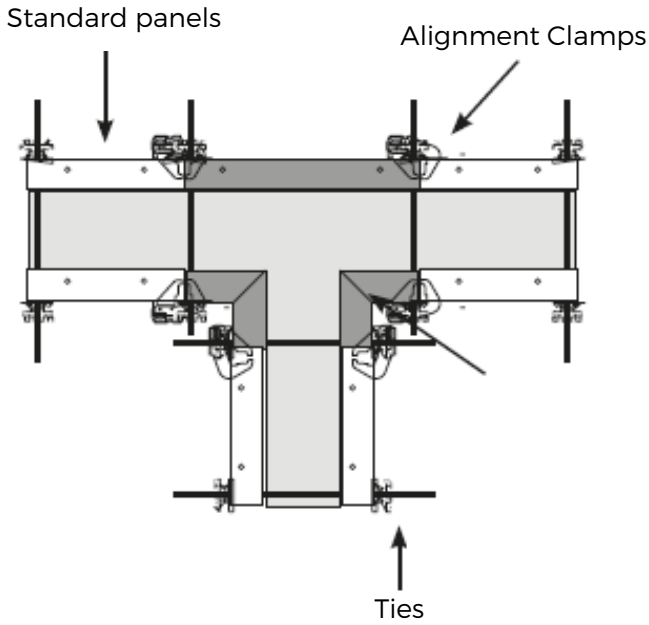


Articulated corners

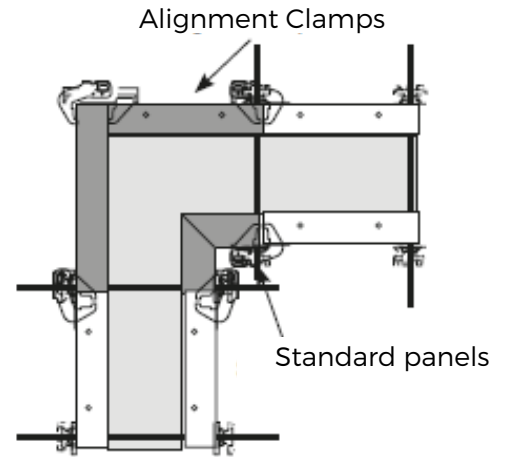


FD T120 GENERAL APPLICATIONS

T-Junctions

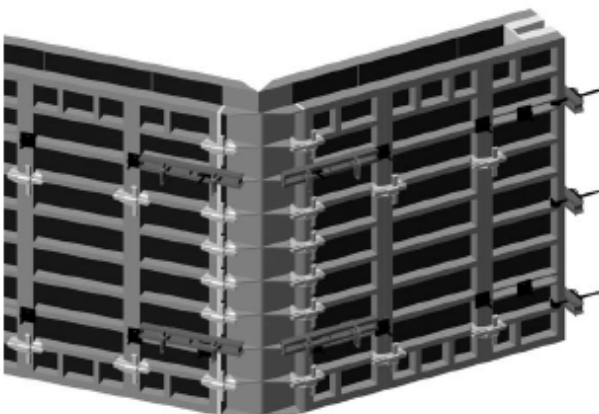
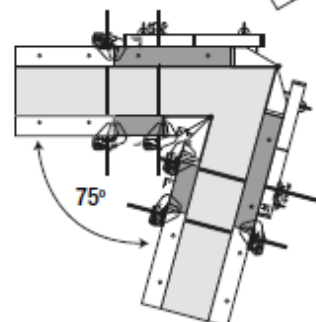
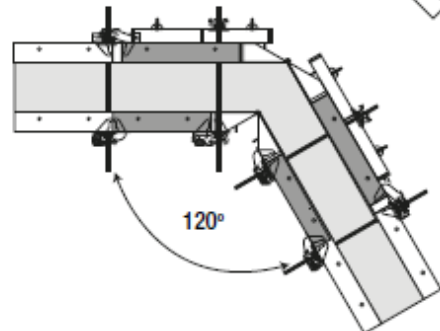
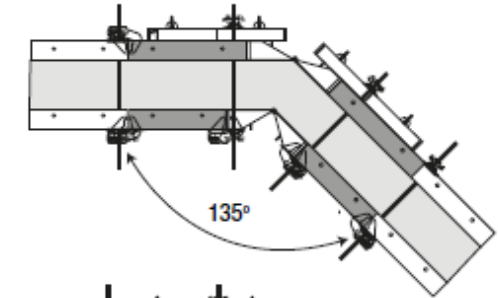
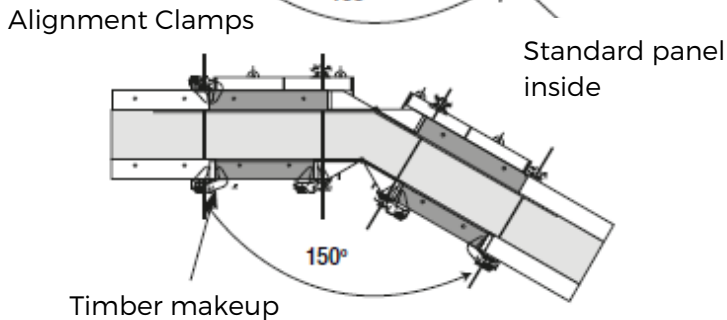
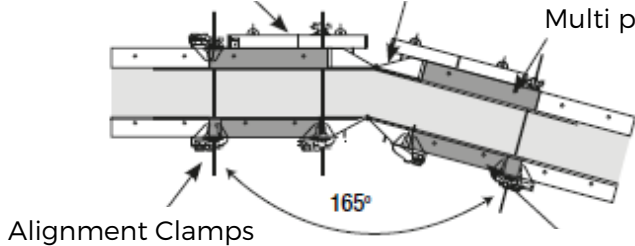


Corners



Oblique Angles

Compensation Waler 850 Articulated corner panels inside & out
Multi panel outside



FD T120 GENERAL APPLICATIONS



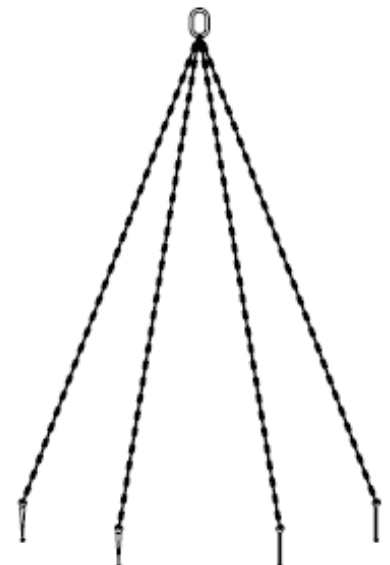
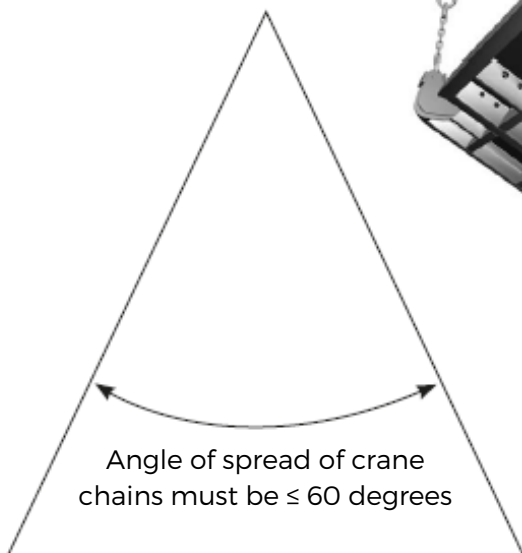
The Stacking Post is used to handle up to 5 panels (only 4 panels when used for stacking 3.3 x 2.4m panels) and has a Working Load Limit of 500kg / Post



The Lifting Hooks are used in pairs to crane handle large panels. They are self locking and can be released from the ground or slab using a tie bar or piece of timber. The Working Load Limit is 1500kg with angle of spread of crane chains must be ≤ 60 degrees.

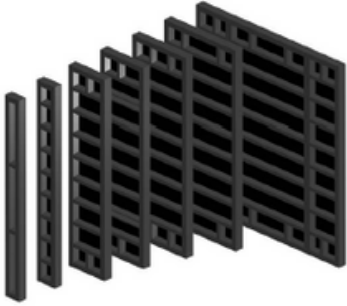


The Lifting Gear is connected to each Stacking Post and can safely take 2000kg with angle of spread of crane chains must be ≤ 60 degrees.



FD T120 COMPONENTS

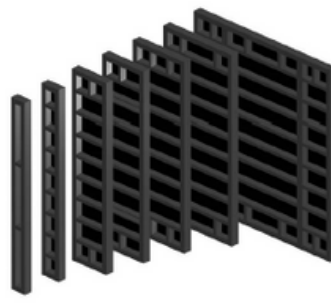
Steel Framed Wall Panels 3300



Can be connected to each other to form the required concrete area. Capable of taking concrete pressures up to 80kPa.

Size (mm)	Code
3300x2400	FD-FDT-0001-0000
3300x1200	FD-FDT-0002-0000
3300x900	FD-FDT-0003-0000
3300x720	FD-FDT-0004-0000
3300x600	FD-FDT-0005-0000
3300x300	FD-FDT-0006-0000

Steel Framed Wall Panels 2700



Can be connected to each other to form the required concrete area. Capable of taking concrete pressures up to 80kPa.

Size (mm)	Code
2700x2400	FD-FDT-0008-0000
2700x1200	FD-FDT-0009-0000
2700x900	FD-FDT-0010-0000
2700x720	FD-FDT-0011-0000
2700x600	FD-FDT-0012-0000
2700x300	FD-FDT-0013-0000

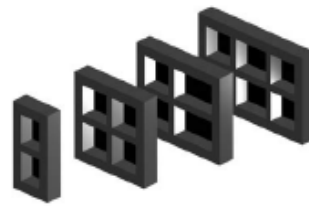
Steel Framed Wall Panels 1200



Can be connected to each other to form the required concrete area. Capable of taking concrete pressures up to 80kPa.

Size (mm)	Code
1200x2400	FD-FDT-0015-0000
1200x1200	FD-FDT-0016-0000
1200x900	FD-FDT-0017-0000
1200x720	FD-FDT-0018-0000
1200x600	FD-FDT-0019-0000
1200x300	FD-FDT-0020-0000

Steel Framed Wall Panels 600



Can be connected to each other to form the required concrete area. Capable of taking concrete pressures up to 80kPa.

Size (mm)	Code
600x900	FD-FDT-0022-0000
600x720	FD-FDT-0023-0000
600x600	FD-FDT-0024-0000
600x300	FD-FDT-0025-0000

Multi Steel Framed Wall Panels



A multi-purpose panel featuring a continuous horizontal module of tie holes 30mm apart. This tie position module allows the panel to be used for applications such as wall offsets, corners with oblique angles, wall stopends and particularly suitable for column formwork.

Size (mm)	Code
3300x720	FD-FDT-0026-0000
2700x720	FD-FDT-0027-0000
1200x720	FD-FDT-0028-0000

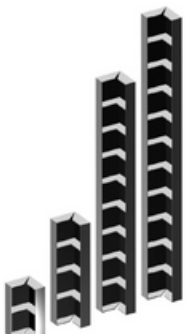
Stoend Panels/Steel Striking Corners



They suit 240mm thick walls, also can be used as wall make up panels.

Size (mm)	Code
3300x240	FD-FDT-0042-0000
2700x240	FD-FDT-0043-0000
1200x240	FD-FDT-0044-0000

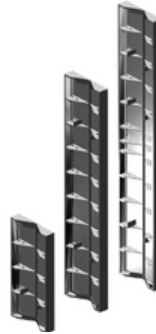
Internal Corner Panels



Used for 90 degree internal corners.

Size (mm)
3300 x 300 x 300 (FD-FDT-0034-0000)
2700 x 300 x 300 (FD-FDT-0035-0000)
1200 x 300 x 300 (FD-FDT-0036-0000)
600 x 300 x 300 (FD-FDT-0037-0000)

Articulated Steel Corner Panels



Can be used internally and externally for angles from 75 degrees

Size (mm)
3300 x 292 x 292 (FD-FDT-0039-0000)
2700 x 292 x 292 (FD-FDT-0040-0000)
1200 x 292 x 292 (FD-FDT-0041-0000)

FD T120 COMPONENTS

Compensation Waler 850



Used to support timber infill panels up to 360mm width and to align panels.

Code:
FD-FDT-0059-0000

Push Pull Props



Used in combination with or without Kicker Brace to provide means for plumbing the panels while stabilising and securing them against wind loads.

Size (mm) Code
2050 -2940 FD-FDT-0049-0000
2900-3800 FD-FDT-0050-0000
4600-6000 FD-FDT-0052-0000

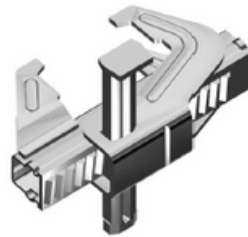
Kicker Braces



Used at the base of the panels in combination with Push-Pull Props to provide means for plumbing the panels while stabilising and securing them against wind loads.

Size (mm) Code
1080-1400 FD-FDT-0053-0000
1280-2100 FD-FDT-0054-0000
2030-2940 FD-FDT-0055-0000

FD T120 Alignment Clamp



Used to connect panels together.

Code
FD-FDT-0056-0000

Platform Bracket 80



Can be attached to provide a three plank wide working platform.

Working Load Limit: 650kg per bracket uniformly distributed.
Maximum spacing: 1.8m

Code:
FD-FDT-0070-0000

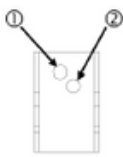
FD T120 Brace Connector



Used for attaching Push-Pull props and Kicker braces to the FD T120 panels.

Code:
FD-FDT-0058-0000

Top Tie Bracket



The Top Tie Bracket is attached to the top of the panel to allow a tie be used at the top of the panel.

Working Load Limit for tie force:
Hole = 15 kN
Hole = 30 kN

Code:
FD-FDT-0067-0000

Column Chamfer Strip



For FD T120 Column formwork.
Length=2.7m

FD T120 COMPONENTS

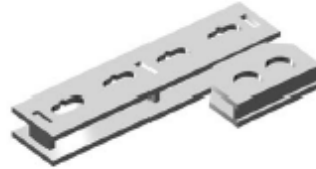
Universal Waler 2450



Used for tying acute and obtuse angles of thick walls.

Code:
FD-FDT-0068-0000

Waler Stop



Used in conjunction with Universal Waler 2450 to connect the walers together.

Code:
FD-FDT-0069-0000

Internal Compensation Waler



Used for connecting internal corners without using Internal Corner Panels

FD T120 Base Plate



Used to anchor Push-Pull Prop and Kicker Brace to concrete footing.

Code:
FD-FDT-0057-0000

FD T120 Lifting Hook 1.5T



Used for crane handling of assembled FD T120 panels and must be used in pairs. Working Load

Limit: 1500kg with angle of spread between crane chains not exceeding 60 degrees.

Code:
FD-FDT-0062-0000

Stacking Post



Used for stacking and moving 5 panels of any size except 3300 x 2400 which is 4 panels. Four units are required per each stack. The stack can be moved by crane or forklift.

Working Load limit: 500kg per post.

Code:
FD-FDT-0065-0000

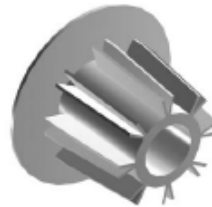
FD T120 Lifting Gear



Used for lifting stacks of panels. Working Load Limit: 2000kg with angle of spread between chains not exceeding 60 degrees.

Code:
FD-FDT-0061-0000

Plastic Hole Plug 20/24mm



Used to plug unused 20-24mm diameter holes in the panels.

Code:
FD-FDT-0063-0000

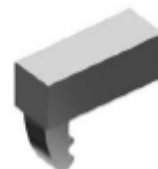
Hook Tie DW15



Length = 400mm used to connect walers to panel. Tensile Working Load Limit = 20kN

Code:
FD-FDT-0000-0000

Hook Tie Head DW15



Tensile Working Load Limit = 20kN

Code:
FD-FDT-0060-0000

FD T120 COMPONENTS

Stopend Tie



Used in combination with Compensation Waler 850 to hold Stopend Panels in place.

Tensile Working Load Limit = 20kN

Code:
FD-FDT-0066-0000

Column Tie Bolt



Code:
FD-FDT-0000-0000



FD T120 WALL PANEL SYSTEM

Product Description

Standard Panel Widths	30 60 72 90 120 240 cm
Panel Heights	60 120 270 330 cm
Multi Panel Widths	720 cm
Profile Thickness	12 cm
Form Lining	Plywood
Lining Thickness	18 mm
Panel Weight Range	20 to 472 kg
Max Concrete Pressure	80 kN/m ²
Corrosion Protection	Powder Coated
Standard Connection	Alignment Clamp
Special Features	High quality form lining on panels Integrated safety with Formsafe Edge Protection High load capacity enables quicker pours

Advantages



Capable of taking loads of up to 80kN



Available in a range of sizes with an extensive range of accessories



Maximum wall heights up to 13.5m